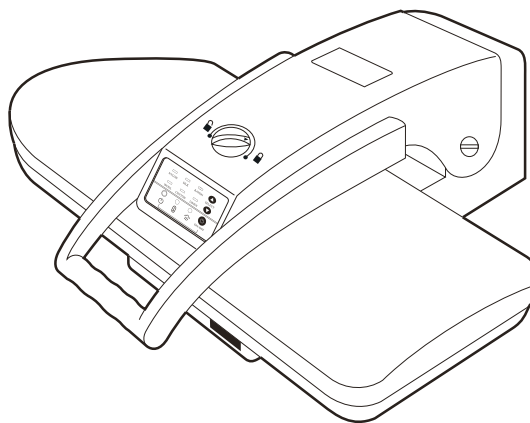


DIGITAL STEAM PRESS INSTRUCTION MANUAL



DIGITAL STEAM PRESS



Please read this manual carefully before using and keep it for future reference.

CONTENTS

Features of the Digital Steam Press.....	1
Safety Reminders.....	2
Part Identification.....	3-4
Steam Press Operation	
o Preparation for use.....	5
o Filling the water tank.....	5
o Turning on the power.....	5
o Selecting the temperature.....	6
o Steam Control Notes.....	7
o Pressing.....	8
o Finishing Pressing.....	9
o Cleaning.....	10
Suggestion for Success.....	11
Use of the Pressing Cushion.....	12
Techniques for Pressing.....	13-14
Troubleshooting.....	15-16

Features of the Digital Steam Press

- Your Steam Press provides clean, professional results every time!
- The pressing surface is seven times larger than most hand-held irons
- Reduces ironing time by up to 50%
- Multiple dry-heat and steam settings for all types of fabric
- Burst setting removes stubborn wrinkles
- Variable temperature selection
- Automatic shut-off safety feature while open or closed with audible alert
- Over 100lbs. of even pressure ensures sharp, long lasting creases
- Easy-to-use one hand operation
- Protects delicate fabrics like silk
- Non-stick padded ironing board cover
- Non stick coating on pressing plate reduces starch build-up and eases cleaning
- Locking handle makes unit portable
- Stores upright

SAFETY REMINDERS

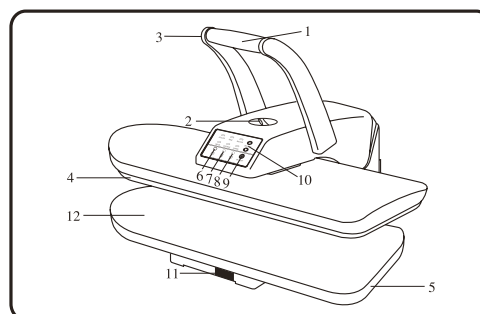
WARNING - Read all of the instructions and then save them for future reference.

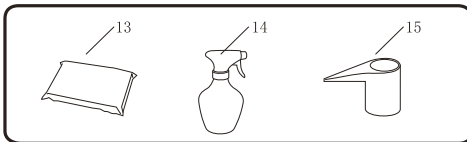
- To protect against the risk of electric shock, do not immerse the appliance in water.
 - Do not let the cord hang over the edge of counters.
 - Do not allow the cord to touch hot surfaces.
 - Always allow the appliance to cool for at least thirty minutes before storing.
 - Always put the appliance in a secure place on a table or counter when using.
 - Do not move the appliance without unplugging it first.
 - The appliance has very hot surfaces - Do not allow unsupervised children to use the appliance.
 - Always disconnect the appliance from the outlet before filling with or removing water. Be careful to avoid spilling water on the appliance when filling.
 - Use distilled water in the appliance. Do not use perfumed or products containing alcohol in the appliance.
 - Always disconnect the appliance when not in use.
 - Do not use the appliance if the cord gets damaged. Return the appliance or have the cord repaired by the manufacturer, his service agent or a similarly qualified person.
 - Do not operate the appliance if it has been dropped or damaged. Do not disassemble the appliance. Incorrect reassembly can cause a risk of electric shock. Send it to an authorized service center for repair.
 - Do not operate another high wattage appliance on the same circuit.
 - If an extension cord is necessary, use a 120V; 60Hz; 1350W
- NOTE: Extension cords rated for less amperage may overheat.
- This appliance must be grounded. Do not alter the plug or attempt to defeat this feature.
 - Be careful. Burns can occur from touching hot metal parts, hot water or steam.

**THIS UNIT IS FOR HOUSEHOLD USE ONLY.
SAVE THESE INSTRUCTIONS**

PART IDENTIFICATION

1. The **Pressing Handle** raises and lowers the Pressing Plate. By lowering the Pressing Handle until it reaches the lowest point possible you automatically obtain maximum pressure.
2. The **Locking Knob** will lock together the Pressing Plate and Ironing Board. Turn the Locking Knob to the locked position to carry or store the Steam Press.
3. The **Red Steam Burst Button** on the handle grip produces a burst of steam when pressed.
4. The **Pressing plate** is the temperature controlled surface that heats and presses the fabric.
5. The **Ironing Board** is the padded surface that holds the fabric during pressing.
6. The **Power Light (Red)** is illuminated when the unit is on.
7. The **Ready Light (Green)** goes off when the Press has reached the selected temperature.
8. The **Steam Ready Light (yellow)** goes on when the unit is ready to produce bursts of steam.
9. The ***POWER*** button to turn **ON/OFF** the appliance.
10. Press the ***SELECT*** button arrows to set the desired temperature for each fabric. **NOTE: Steam will only be available on the three highest settings.**
11. The **Water Tank** slides forward and is filled through holes in the top. The **Water Level** can be seen through the front of the tank. Slide the tank forward for a better view.
12. The **Ironing Board Cover** is removable and washable for extended use.





13. The **Pressing Cushion** is a fabric covered pad used for pressing gathered or contoured areas such as sleeves, darts, and yokes.

14. A plastic water **Spray Bottle** is used for dampening fabric before pressing.

15. A **Water Container** is used for filling the Water Tank.

The multiple function safety features of this appliance turn off electric power to the heater when the Pressing plate has been left against the Ironing Board for about 10 seconds. If the Pressing plate is left in the open (up) position without use after approximately 15 minutes, the unit will be automatically shut-off. In either case, to restore the unit, you have to press the ***POWER*** button again.

The following information is provided for service by a qualified electrician only:

Rated voltage: 120V; 60Hz; 1350W

WARNING:

This appliance must be grounded. Use only the proper type outlet when plugging in the appliance. Do not attempt to override the ground wire feature.

STEAM PRESS OPERATION

STEP 1 - PREPARATION FOR USE

Set the appliance on a sturdy work surface. Unlock the Locking Knob.

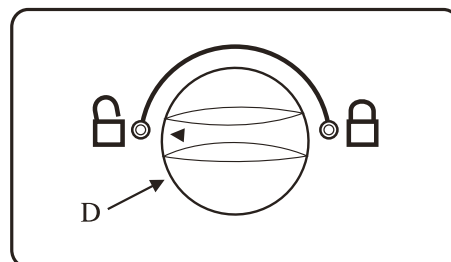
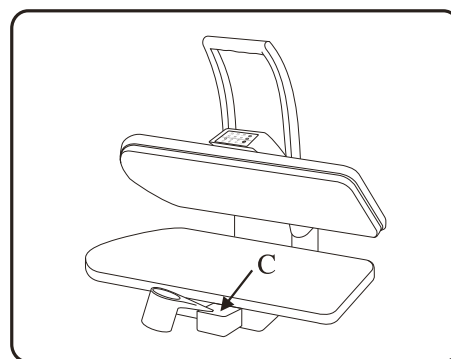
STEP 2 - FILLING THE WATER TANK

BEFORE PLUGGING IN THE APPLIANCE, fill the water tank;

- Always make sure the appliance is unplugged before filling the tank.
- Fill the Water Tank with the Pressing Plate lifted to the raised (up) position. Slide the Water Tank towards the front of the unit. It will not come completely out so do not force it to do so. Using the Water Container, slowly pour the distilled water into the Water Tank Fill Holes(C).
- Be careful to avoid spilling water onto the Steam Press when filling.
- Slide the Water Tank back into its recessed position.

STEP 3 - TURNING ON THE POWER

- Make sure the Locking Knob (D) is in the open position allowing free movement of the Pressing Plate before plugging in the appliance.
- Lift the Pressing plate to the fully raised (up) position.
- Plug the appliance into an electric outlet.
- Press the ***POWER*** button and the Red Power light will shine.

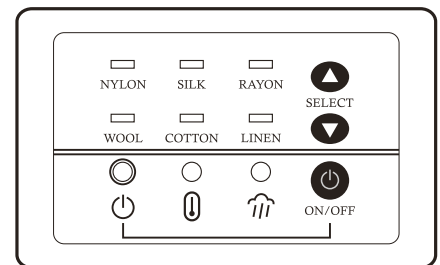


STEP 4 SELECTING THE TEMPERATURE

Press the *SELECT* arrow buttons to choose the kind of fabric you wish to press. Press ▲ to move selection to higher setting and press ▼ to move selection to lower setting.

- a. Examine the garment label if unsure and look up the type on the chart.

<i>Fabric</i>	<u>NYLON</u>	<u>SILK</u>	<u>RAYON</u>	<u>WOOL</u>	<u>COTTON</u>	<u>LINEN</u>
	100°C	130°C	140°C	160°C	200°C	210°C
	212°F	266°F	284°F	320°F	392°F	410°F
<i>Steam</i>	<i>NO</i>	<i>NO</i>	<i>NO</i>	<i>YES</i>	<i>YES</i>	<i>YES</i>



IMPORTANT NOTE: If you can not determine the type of fabric, begin with the lowest setting and increase the temperature as desired until you obtain the proper results.

- b. When the Green Ready Light goes off, the Pressing Plate has reached the temperature for the desired setting.
- c. When changing the setting from a higher selection to a lower setting allow several minutes for the Pressing Plate to cool sufficiently after making the change.

IMPORTANT NOTE: You may find it more efficient to arrange your fabrics from those requiring the lowest setting to those requiring the highest setting and proceed accordingly. This will avoid any unnecessary delay or wait for the Pressing Plate to cool.

STEP 5 - STEAM CONTROL

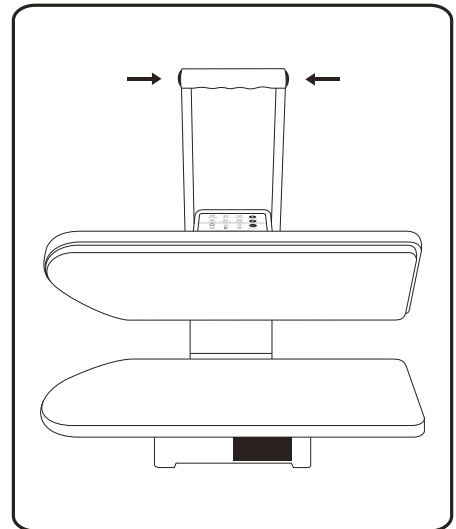
IMPORTANT NOTE: Steam is produced only when the Yellow Steam Ready light is on.

The Green Ready Light goes off when the unit has reached the desired temperature. The Yellow Steam Ready Light will come on when the unit is ready to produce steam.

IMPORTANT NOTE: If this is the first time you are using the Steam Press or you have been storing it for some time, lift the Pressing plate into the raised position and press the Steam Burst Button several times until the steam begins to flow.

IMPORTANT NOTE: The Steam Burst function can only be used when the Steam Ready Light is on AND the steam press is in a slightly opened position. Do not use the Steam Burst function when the steam press is closed, or you may damage the unit.

IMPORTANT NOTE: Do not press the Steam Burst Button for more than 5 seconds or water may drip on your garment.

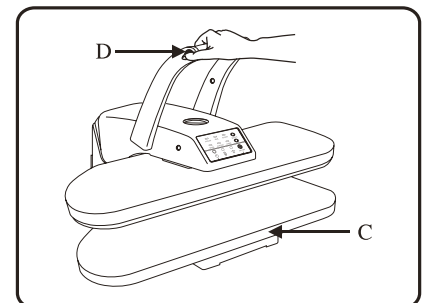
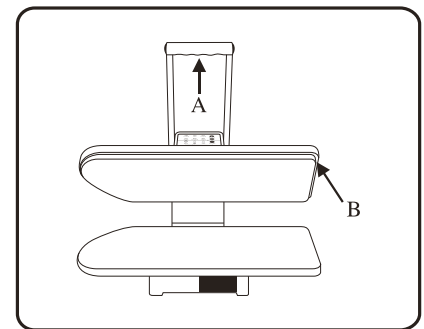


STEP 6 - PRESSING

- a. Lift the Pressing Handle (A). The Pressing Plate (B) moves to the up position.
- b. Carefully arrange the garment to be pressed onto the Ironing Board (C).
- c. Grasp the handle of the Pressing Plate(A) and lower it onto the Ironing Board (C), capturing the garment between the two halves of the Steam Press. For light duty Pressing, simply lowering the handle and allowing the Pressing Plate to rest on the Ironing Board will be sufficient. Return to the open position. For heavier duty pressing, continue to grasp the handle and press downward until the Pressing Plate is pushed to its lowest position, then open the press.
- d. If the temperature is set high enough you may give the fabric a burst of steam by pressing the Steam Burst Button (D) to remove stubborn wrinkles. Lower the pressing plate until it is about two inches from the garment. Press the Steam Burst Button for about 3-5 seconds. After releasing the Steam Burst Button you may fully lower the pressing plate.

NOTE: Do not press the Steam Burst Button when the pressure plate is in its lowest (closed) position.

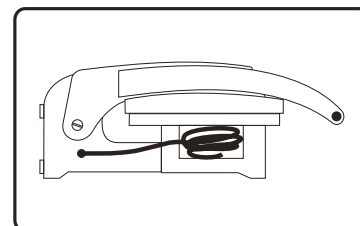
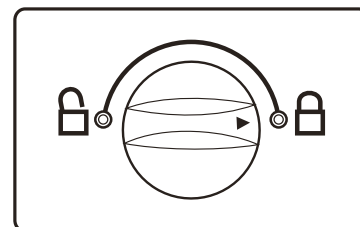
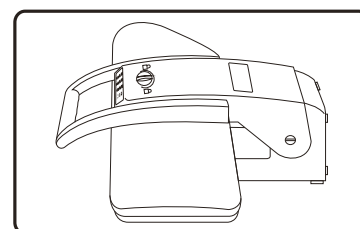
- e. After a few seconds, lift the handle and raise the Pressing Plate back to the raised position.



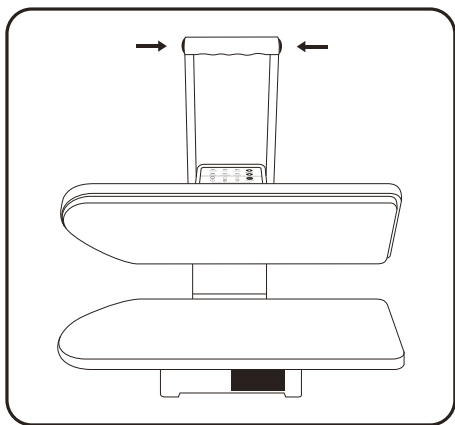
IMPORTANT NOTE: If you forget to raise the Pressing Plate or become distracted, the machine will give a warning beep and automatically shut-off heating after approximately 10 seconds. The steam press will be completely shut-off after 15 minutes of no activity with the press in the open position.

STEP 7 - FINISHING PRESSING/STORING THE UNIT

- a. Water may be left in the reservoir, because it will not drip out if the machine is stored in an upright position. However, it is recommended that if the machine will be stored for some time, that all the water in the unit should be drained by pressing the Steam Burst Button until all of the water is pumped out.
- b. Press the ***POWER*** button, the Red Power Light will go out. Disconnect the plug from the outlet. Leave appliance in open position.
- c. Wait for the Steam Press to cool completely (approximately 30 minutes).
- d. When cool, lower the Pressing Plate onto the Ironing Board pushing the handle to its lowest position.
- e. Turn the Locking Knob to the locked position. This should prevent the Steam Press from opening while being moved or stored.
- f. Loosely wrap the electric cord and place it in the opening at the front of the base of the Ironing Board. You are now ready to store the unit.



STEP 8 - CLEANING (As needed)



a. Cleaning the Pressing Plate:

Place the Pressing Cushion in the center of the Ironing Board. Place a clean towel over the Pressing Cushion and the Ironing Board. Set the Steam Control and Temperature Control to their maximum setting. When the Ready Light comes on, gently lower the Pressing Plate onto the Pressing Cushion. With water in the reservoir tank, press the Steam Burst Control 6 to 7 times. Be careful to avoid touching the hot metal surfaces or leaving your hand in the bursts of steam.

b. Once the Pressing Plate has cooled down you can clean the surface with a damp cloth. DO NOT use any abrasives on the Pressing Plate. This Pressing Plate has a non-stick coating that will assist in cleaning.

c. The Ironing Board Cover is removable for normal washing. You can rinse the Ironing Board Cover with mild detergent and warm water.

SUGGESTIONS FOR SUCCESS --

USING PRESS CLOTH:

Placing a press cloth (a piece of clean fabric) between the fabric and the Pressing Plate may be desirable, especially for more delicate fabrics.

OLDER STYLE BUTTONS AND ZIPPERS:

While most modern buttons and zippers require no special attention, some older types may be heat sensitive. Take care with items that could melt. Lower the heat or steam settings, place the items **FACE DOWN** on the ironing board, and cover the fabric with a press cloth **BEFORE** pressing. This will help protect delicate accessories and fasteners.

SPRAY BOTTLE METHOD:

Using a Spray Bottle, lightly spray the garment before placing it on the Ironing Board. This helps to distribute an even, fine mist over the fabric, preparing it to be pressed, and removing all wrinkles.

DAMP CLOTH METHOD:

For the most stubborn or heavy gauge fabrics, place a damp cloth over the area to be pressed. Press the garment normally for a few seconds, then raise the Pressing Plate and allow the steam to escape. Repeat the procedure until the fabric is dry.

USE OF THE PRESSING CUSHION --

Some garments have been constructed with details, such as darts, curved seams and shoulder pads, which are not intended to be pressed flat. A Pressing Cushion is supplied with your Steam Press for use with these areas.

- a. Use the cushion whenever pressing areas where no creases are desired or to shape tailored garments.
- b. Place the area to be pressed onto the Ironing Board.
- c. Place the Pressing Cushion under the dart, seam etc.
- d. Make sure the area to be pressed is raised and lower the Pressing Plate. The raised area is the only area the plate should contact.

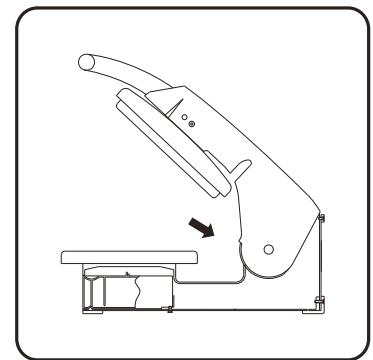
IMPORTANT NOTE: Do not attempt to lower the Pressing Plate to its lowest position or lock the Pressing Plate against the Ironing Board with the Pressing Cushion in place. You **MAY DAMAGE** the Steam Press by doing so.

- e. Raise the Pressing Plate after a few seconds.

TECHNIQUES FOR PRESSING --

LARGE PIECES OF FABRIC:

To press large pieces of fabric, place the entire piece in the storage area behind the Ironing Board. The area you want to press first is on the top of the pile. Pull the fabric towards you, over the Ironing Board and lower the Pressing Plate, pressing each section as you move the fabric forward. Allowing the pressed fabric to drape in front of the Pressing Plate will preserve the pressing and give you a complete job free of wrinkles.



SHIRTS AND BLOUSES:

- a. Place the shoulder yoke on the Ironing Board first, face down and press.
- b. Place the sleeves on the Ironing Board, next, with the fold parallel to the long seam and press.
- c. Place the cuffs on the end of the Ironing Board and press.
- d. Place the body of the shirt into the storage area between the Pressing Plate and Ironing Board, away from you. Press the side front of the shirt including the placket or pocket.
- e. Pull the shirt towards you and continue to press each area until complete.
- f. Place the shoulder yoke flat on the Ironing Board. Press to remove the crease.
- g. Place the collar right side up on the Ironing Board and press.

PANTS:

- a. Place the pressing Cushion under the waistband and press.
- b. Reposition the waistband and continue around the pants until the entire waistband is pressed.
- c. To press the inseam, place the Pressing Cushion under the area to be pressed. Press the entire inseam and repeat for the other leg.
- d. Press the front and back pleats using the same method. Fold one leg along the creased line. Place it on the Ironing Board so that the seams will not be pressed. Press the crease.

PLEATED SKIRTS:

- a. Place the Pressing Cushion under the waistband and press.
- b. Reposition the waistband and continue around the skirt until the entire waistband is pressed.
- c. Place the pleated area on the Ironing Board. Fold the pleats carefully and press.
- d. Continue with each pleated area until the garment is completed.

OTHER ITEMS:

- a. **EMBROIDERY** should be placed FACE DOWN on the Ironing Board to reduce wear and prevent damage to delicate work.
- b. **CURTAINS** may be pressed running them from one end of the Ironing Board to the other and pressing in sections until complete.
- c. **DRESSES** with special needs should refer to the above sections on pleats, shirts (bodices), etc., for proper use of the Pressing Cushion.

IMPORTANT NOTE: Many types of clothing are intricate and unique to their owner. You may have to experiment with the best way to press challenging garments. Remember, if you put in a crease you did not intend, you can remove it just as simply with one of the methods contained in these instructions.

TROUBLE SHOOTING

Below is a chart detailing the most common problems, their causes and solutions. Before shipping any appliance to a service center please check to make sure that the solution is not listed here:

PROBLEM	CAUSE	SOLUTION
Steam Press cannot be opened using Pressing Handle.	Locking Knob is in Locked position.	Turn the Locking Knob to the unlocked position.
Steam Press becomes warm but DOES NOT remove wrinkles.	Temperature Setting is not high enough for the fabric attempted.	Gradually increase the temperature until obtaining the desired results.
Press DOES NOT get warm.	Temperature has not been selected.	Make a proper selection.
	Press is not plugged into an outlet.	Plug the appliance in.
	Automatic Shut-Off has engaged. The Pressing Plate has been raised for more than 15 minutes without use.	Press the *POWER* button again.

PROBLEM	CAUSE	SOLUTION
No Steam.	Water Level is too low.	Fill the water tank.
	Controls have not been properly set.	If suitable for the fabric, make a selection to a higher temperature. Wait for the Steam Ready Light to come on. If not use spray misting bottle as directed.
Water drips from the Pressing Plate.	Steam Button has been pressed too long.	Don't press the Steam Button more than 5 seconds continuously.
The Pressing Handle will not move into the Automatic Maximum pressure position.	Item on the Ironing Board is too thick to use this pressure.	Use lighter pressure on thicker items. Use added steam for wrinkles.



Reliable Corporation
5-100 Wingold Avenue
Toronto, Ontario
Canada M6B 4K7
www.reliablecorporation.com

P 416 785 0200
F 416 785 7038
TF 800 268 1649
sales@reliablecorporation.com